



Smart Valve Positioner TS800 Series

- Quick and easy auto calibration
- Flapper / Nozzle type Torque motor
- By-pass valve (A/M switch) installed
- HART communication (HART 7)
- PST & Alarm & Diagnostic function

Smart Valve Positioner TS800/TS805 Series



Description

TS800 Smart Valve Positioner controls the valve stroke in response to an input signal of 4-20mA from the control panel, DCS, or calibrator.

Certified



Features



TS800 Standard type



TS805 Stainless steel 316 type



TS800 with Limit switch type

- + Quick and easy auto calibration
- + Large flow pilot valve (Over than 100LPM)
- + Flapper / Nozzle type Torque motor
- + By-pass valve (A/M switch) installed
- + HART communication (HART 7)
- + Limit switch (Mechanical or Proximity type)
- + Partial stroke test (PST) function
- + Alarm function
- + Self diagnostic

TS820 (Remote type)



TS820 Body

TS820 Sensor

Interface structure



1. LCD
2. Button (4)
3. Alarm modules
4. Input signal (4~20mA DC)
5. Ground
6. Position transmitter (Option)
 - 2 Wire
 - 4~20mA DC feedback signal
7. Limit switch (Option)
 - Mechanical type
 - Proximity type

Specifications

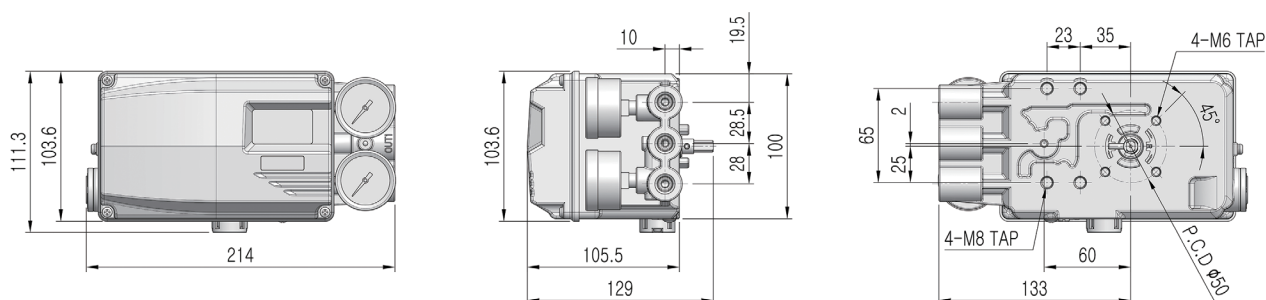
Model		TS800	TS805
Input signal		4~20mA DC	
Impedance		500Ω at 20mA DC	
Supply pressure		0.14~0.7MPa	
Stroke		10~150mm (Linear), 0~90°(Rotary)	
Air connection		PT1/4, NPT1/4, G1/4	
Gauge connection		PT1/8, NPT1/8	
Conduit		G1/2, NPT1/2, M20	
Explosion proof type		II 2G Ex ia IIC T5/T6 Gb II 2D Ex ia IIIC T100°C/85°C Db IP66	
Enclosure		IP66 (EN60529)	
Ambient Temp.	Standard type	-30°C~85°C	
	Low temp type	-40°C~85°C	
	Explosion proof	-40°C~60°C(T5) / -40°C~40°C(T6)	
	LCD operating	-30°C~85°C	
Linearity		±0.5% F.S.	
Sensitivity		±0.2% F.S.	
Hysteresis		±0.5% F.S.	
Repeatability		±0.3% F.S.	
Air consumption		Below 2.3LPM (Sup=0.14MPa)	
Required air quality		Class 3 (ISO 8573-1)	
Flow capacity		Over 100LPM (Sup=0.14MPa)	
Material		Aluminum die cast	Stainless steel 316
Weight		2.6k	4.2k
HART version*		HART 7	
Position transmitter*	Connection type	2 Wire	
	Supply voltage	10~30V DC	
Limit switch rating*	Mechanical type	AC 125V, 3A DC30V, 2A	
	Proximity type	DC8.2V 8.2A	

* Options

Product code

Model	TS800							
Standard type	TS800							
Remote type	TS820							
STS 316 type	TS805							
Acting type	Linear type	L						
	Rotary type	R						
Explosion proof type	Non-explosion proof	N						
	Ex ia IIC T5/T6	A						
Connection type	Conduit entry		Air connection					
	G1/2	PT1/4		1				
	G1/2	NPT1/4		2				
	NPT1/2	NPT1/4		3				
	M20	NPT1/4		4				
M20	G1/4		5					
Lever (Linear type)	10 ~ 80mm						1	
	70 ~ 150mm						2	
	Adapter type (30mm)						3	
	Adapter type (70mm)						4	
Lever (Rotary type)	M6 x 34L						1	
	NAMUR						5	
Ambient Temp.	-30°C~85°C							S
	-40°C~85°C							L
	-60°C~85°C (For Russia EAC)							U
Communication	None							0
	4~20mA Position transmitter							1
	HART							2
	HART with 4~20mA Position transmitter							3
Limit switch (For TS800) & TS805)	None							0
	Mechanical type							M
	Proximity type							P
	With dome cover (Without Limit switch)							D
Cable length (For TS820)	5m							1
	10m							2
	User define (Less than 20 meters)							x

Dimension [Unit:mm]



tissin

Solutions for control valve system



tissin

Tissin Co.,Ltd. (주)티씬

201-1105, No 397, Seokchen-ro, Ojeong-gu,
Bucheon-si, Gyeonggi-do, Korea 14449

Tel : +82-32-624-4573, Fax : +82-32-624-4574

www.tissin.co.kr



Version: PC-800EN_01/2022

We reserve the right to make technical changes or modify
the contents of this document without prior notice.

Copyright © 2022 Tissin
All rights reserved.

Printed in Korea