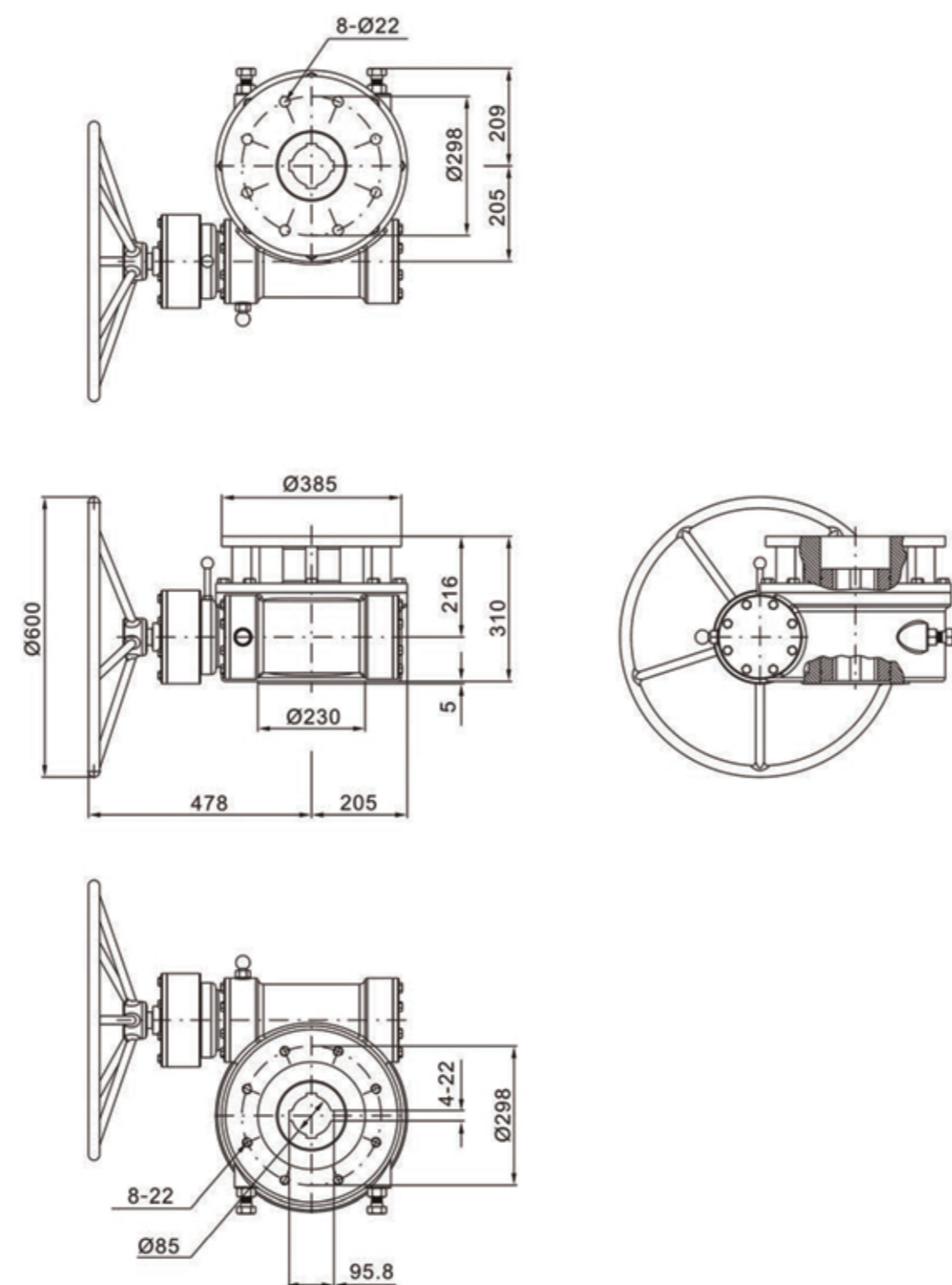


Parts No:	QTY	NAME	Standard Material
01	1	Body	Aluminum alloy/carbon steel
02	1	Cape	Aluminum alloy/carbon steel
03	1	Gear	Nodular cast iron
04	1	Connecting shaft	Carbon steel
05	1	Eccentric bushing	Carbon steel
06	1	Bearing units	Bearing steel
07	1	Vortex rod	Carbon steel
08	1	Handle	Carbon steel
09	1	Limit components	Carbon steel/others
10	1	Stopper screw	Carbon steel
11	1	Hand wheel	Carbon steel
12	1	Worm-wheel shaft	Chromeplated carbon steel
13	1	Round pin	Carbon steel
14	1	Round pin	Carbon steel
15	1	Adjustable bolt	Stainless steel
16	1	Nut	Stainless steel
17	1	Bolt	Stainless steel
18	1	Flat key	Carbon steel
19	1	Circlip	Bearing steel

Dimension



## KH Series Manual Override

KH-1 to KH-8  
KH-320: 1 to KH-450: 1



Main Purpose

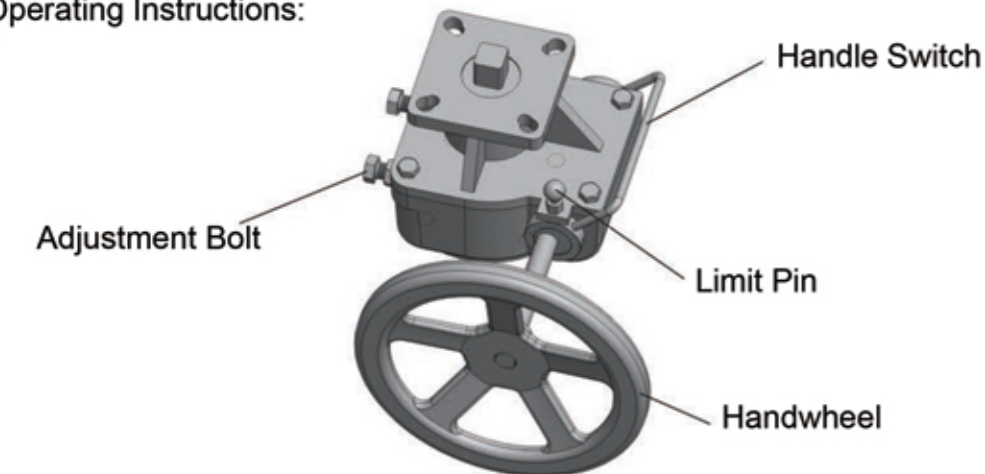
The manual operation is supporting the use of pneumatic actuator. It is a main parts of automatic control system and mainly used to open and close 90° angular travel valves by manual power, such as butterfly valve, ball valve and plug valve, etc. It also can be used for other automatic control products.

Product Feature:

- 1.Small, light, reasonable design and novel style;
2. Output torque is good match the pneumatic actuator and valves;
- 3.The connection standard of KH series is complied with ISO5211 Standard. The upper part is square tenon while the lower part is square hole; The inner hole of series 320:1 and 450:1 have some keyways so that user can adjust the location for different valves;
4. Lift the stop pin then rotate the eccentric device 180° or 90°, the stop pin will automatic limit to achieve pneumatic. On the contrary, achieve manual operation;
- 5.When the product is shipped, equipped with special grease. After installation, the seal of waterproof and dustproof is complied with IP65.



Operating Instructions:



Manual operation

Filed a limit pin rotating switch handle, a left-handed upward direction to manually limit position, confirmed already in place, then the turbine worm bite, turn the handwheel to open and close the valve.



Lift the limit pin



Left rotate to manual operation



Right rotate to auto operation

Automatic operation

Filed a limit pin rotating switch handle, right to the top and bottom to automatic limit position, to confirm that already in place, then the turbine worm out, turn the handwheel belong to idle.

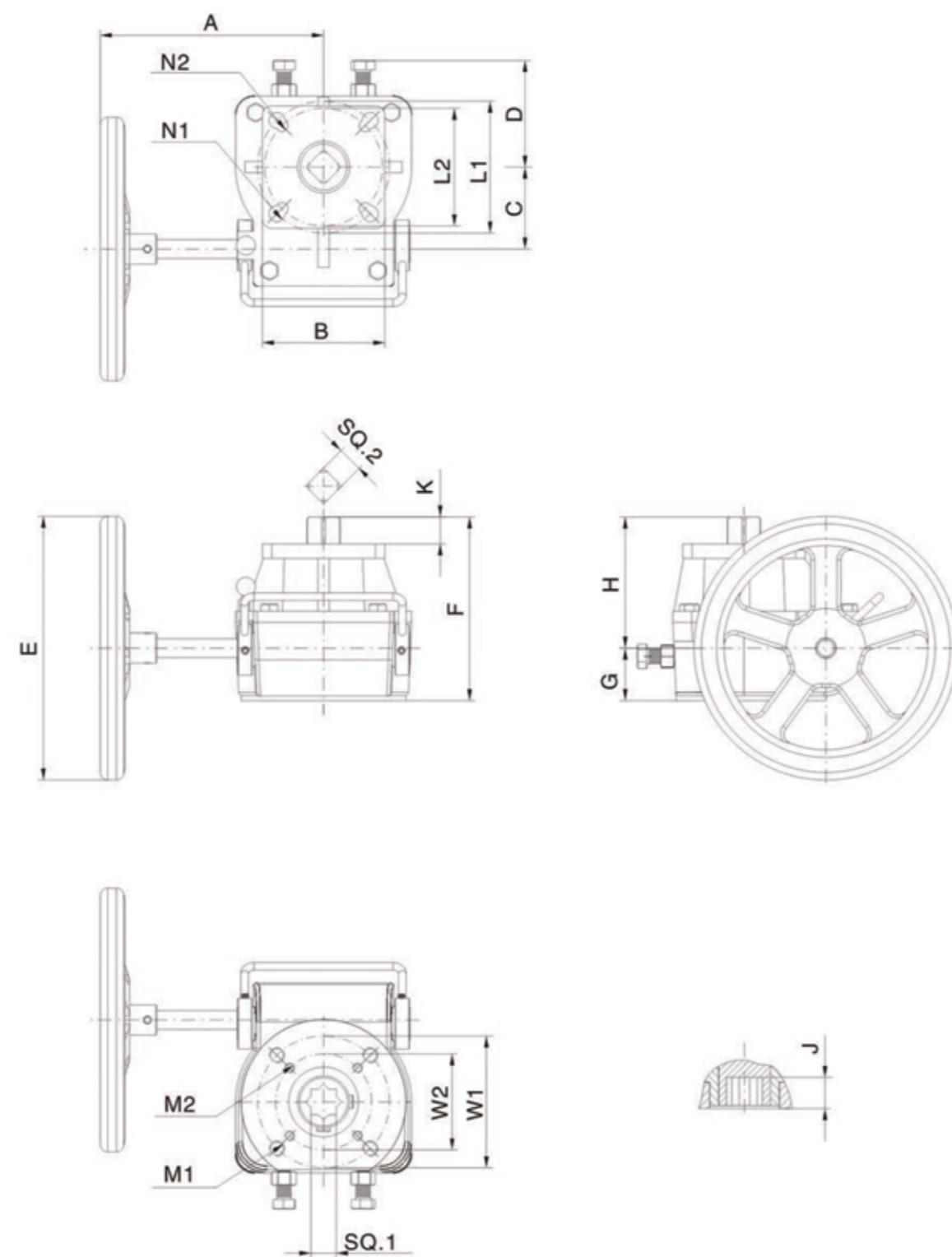
NOTES:

Switch in his hand up and down turns sticking phenomenon may occur, because this is a worm gear and worm bite, as long as light wave wheel cancel this jam phenomenon.

Technical Paramater:

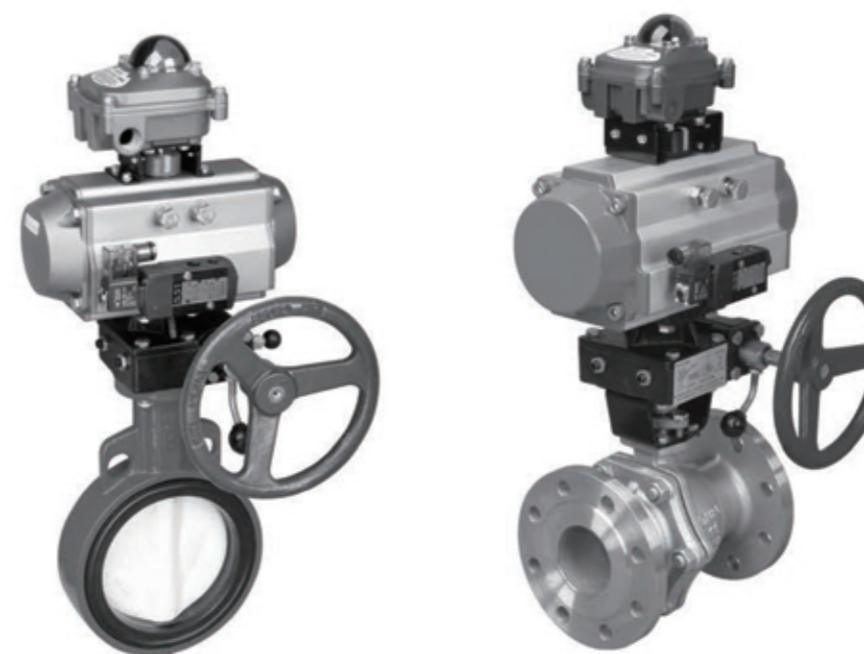
MODEL	GEAR RATIO	INPUT TORQUE	OUTPUT TORQUE	DIAMETER/	WEIGHT(KG)
KH-1	26:1	50	100	Ø180	2.6
KH-2	30:1	60	215	Ø200	4.0
KH-3	38:1	90	434	Ø280	6.5
KH-4	54:1	110	1000	Ø300	13
KH-5	80:1	140	2000	Ø400	32
KH-6	78:1	200	3500	Ø500	43
KH-7	98:1	200	4200	Ø600	65
KH-8	100:1	200	6000	Ø600	95

Dimension



Technical Table

Model	KH-1	KH-2	KH-3	KH-4	KH-5	KH-6	KH-7	KH-8
A	150	170	200	260	310	395	435	440
B	70	95	115	140	155	160	235	300
C	50	55	82	85	125	140	170	210
D	43	65	90	102	110	140	160	170
E	Ø180	Ø200	Ø280	Ø300	Ø400	Ø500	Ø600	Ø600
F	120	127	150	195	209	233	243	252
G	35	40	40	60	55	60	60	65
H	85	87	110	135	154	172	183	187
J	16	19	24	29	40	50	58	58
K	15	19	22	28	39	48	55	55
M1	M8x4	M10x4	M12x4	M16x4	M20x4	M20x4	M16x8	M16x8
M2	M6x4	M8x4	M10x4	---	---	---	---	---
W1	70	102	125	140	165	165	200	254
W2	50	70	102	---	---	---	---	---
SQ.1	14	17	22	27	36	46	55	55
N1	Ø10x4	Ø12x4	Ø14x4	Ø18x4	Ø22x4	Ø22x4	Ø18x8	Ø18x8
N2	Ø8x4	Ø10x4	Ø12x4	Ø16x4	Ø18x4	---	---	---
L1	70	102	125	140	165	165	200	254
L2	50	70	102	125	140	---	---	---
SQ.2	14	17	22	27	36	46	55	55



Dimension

